

2006020"E982Z00T

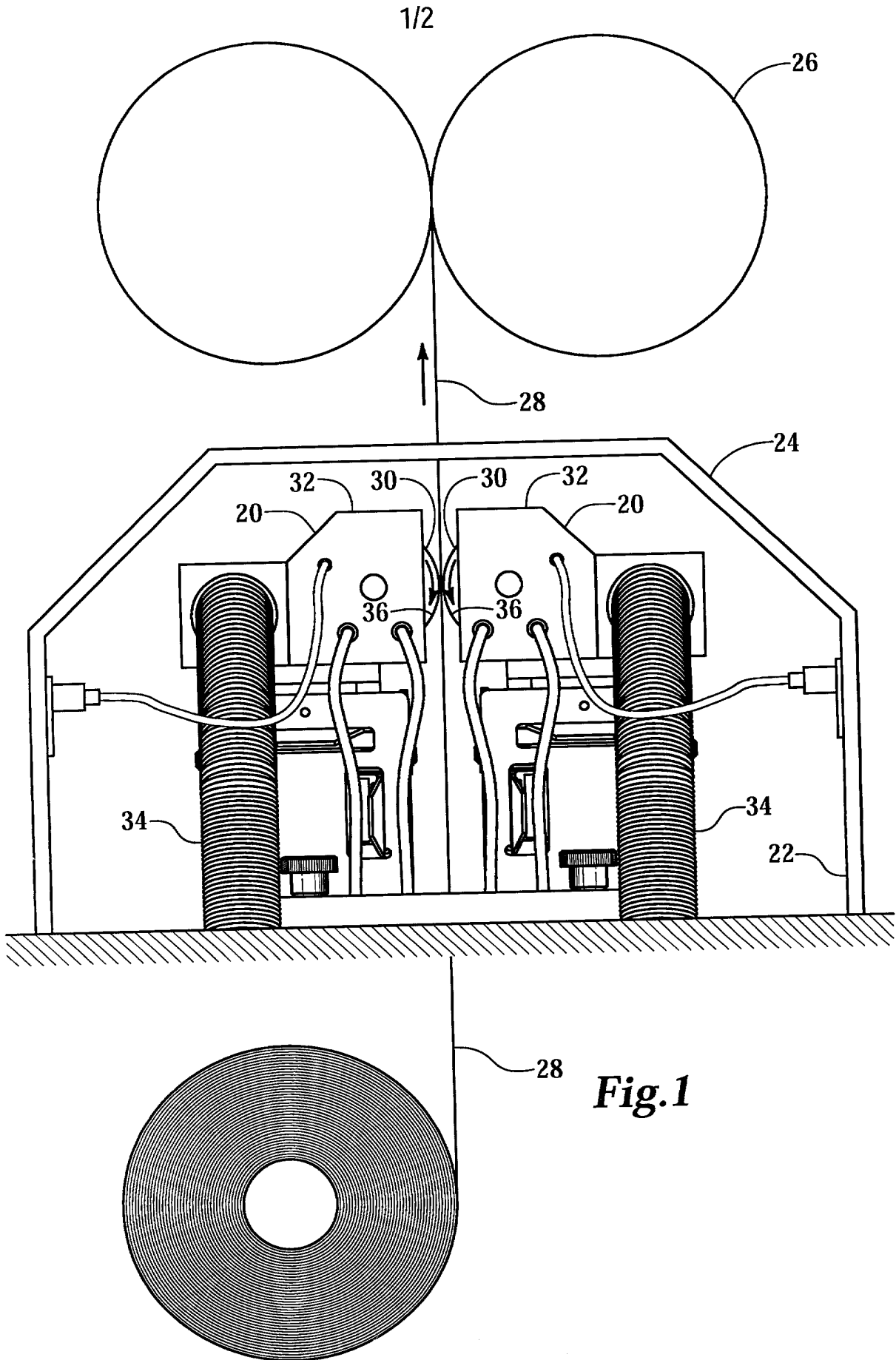


Fig. 1

